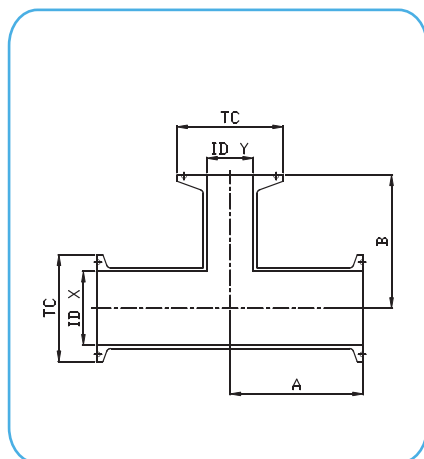


7RMP Tri-Clamp Reducing Tee ASME BPE



Technical Information:

Connections: Tri-Clamp according to ASME BPE (latest ed.)

Material: AISI 316L – 1.4404

Internal Surface Finish: SF1 Ra ≤ 0.5 μm → code **13** e.g.: 7RMP-...-**13A**

Optional: SF4 Ra ≤ 0.38 μm Electropolish → code **43** e.g.: 7RMP-...-**43A**

7RMP-REDUCING TEE TC x TC ASME BPE DT-4.1.2-8

CODE	Size inch	ØTC (mm)	IDx (mm)	IDy (mm)	A (mm)	B (mm)
7RMP-A075X050-13A	¾" x ½"	25.0 x 25.0	15.75	9.4	63.5	63.5
7RMP-A100X050-13A	1" x ½"	50.5 x 25.0	22.1	9.4	66.7	66.7
7RMP-A100X075-13A	1" x ¾"	50.5 x 25.0	22.1	15.75	66.7	66.7
7RMP-A150X050-13A	1"½ x ½"	50.5 x 25.0	34.8	9.4	73.0	73.0
7RMP-A150X075-13A	1"½ x ¾"	50.5 x 25.0	34.8	15.75	73.0	73.0
7RMP-A150X100-13A	1"½ x 1"	50.5 x 50.5	34.8	22.1	73.0	73.0
7RMP-A200X050-13A	2" x ½"	64.0 x 25.0	47.5	9.4	85.7	79.4
7RMP-A200X075-13A	2" x ¾"	64.0 x 25.0	47.5	15.75	85.7	79.4
7RMP-A200X100-13A	2" x 1"	64.0 x 50.5	47.5	22.1	85.7	79.4
7RMP-A200X150-13A	2" x 1"½"	64.0 x 50.5	47.5	34.8	85.7	79.4
7RMP-A250X050-13A	2"½ x ½"	77.5 x 25.0	60.2	9.4	92.1	85.7
7RMP-A250X075-13A	2"½ x ¾"	77.5 x 25.0	60.2	15.75	92.1	85.7
7RMP-A250X100-13A	2"½ x 1"	77.5 x 50.5	60.2	22.1	92.1	85.7
7RMP-A250X150-13A	2"½ x 1"½"	77.5 x 50.5	60.2	34.8	92.1	85.7
7RMP-A250X200-13A	2"½ x 2"	77.5 x 64.0	60.2	47.5	92.1	85.7
7RMP-A300X050-13A	3" x ½"	91.0 x 25.0	72.9	9.4	98.4	92.1
7RMP-A300X075-13A	3" x ¾"	91.0 x 25.0	72.9	15.75	98.4	92.1
7RMP-A300X100-13A	3" x 1"	91.0 x 50.5	72.9	22.1	98.4	92.1
7RMP-A300X150-13A	3" x 1"½"	91.0 x 50.5	72.9	34.8	98.4	92.1
7RMP-A300X200-13A	3" x 2"	91.0 x 64.0	72.9	47.5	98.4	92.1
7RMP-A300X250-13A	3" x 2"½"	91.0 x 77.5	72.9	60.2	98.4	92.1
7RMP-A400X050-13A	4" x ½"	119.0 x 25.0	97.4	9.4	120.7	104.8
7RMP-A400X075-13A	4" x ¾"	119.0 x 25.0	97.4	15.75	120.7	104.8
7RMP-A400X100-13A	4" x 1"	119.0 x 50.5	97.4	22.1	120.7	104.8
7RMP-A400X150-13A	4" x 1"½"	119.0 x 50.5	97.4	34.8	120.7	104.8
7RMP-A400X200-13A	4" x 2"	119.0 x 64.0	97.4	47.5	120.7	111.1
7RMP-A400X250-13A	4" x 2"½"	119.0 x 77.5	97.4	60.2	120.7	111.1
7RMP-A400X300-13A	4" x 3"	119.0 x 91.0	97.4	72.9	120.7	111.1

DATASHEETS



Last updates can be found on our website - www.aerreinox.it
In the interests of development of the product, we reserve the right to change the specifications without prior notice